

EVODRUM

100% longer lifetime



The reusable Duplex Hub can be used twice.

- ✓ Main part of coupling can be used twice, saving costs

The housing is shipped from stock, cutting cost and procurement time.

- ✓ No manufacturing necessary
- ✓ No back and forth on confirmation drawings or the like
- ✓ Direct delivery

Available now for coupling sizes 5 to 112.

Q&A

How do you achieve a 100% longer lifetime?

The hub can be used twice, effectively doubling its lifetime.

Why do you need a 100% longer lifetime for a drum coupling?

This depends on your application and integration, particularly coupling alignment. Typical lifetimes range from 8 to 10 years, with some exceptions reaching up to 15 years. Considering sustainability, second-life usage, and equipment retrofits are becoming crucial in port operations. With this in mind, we have tailored this feature.

How can this be ordered?

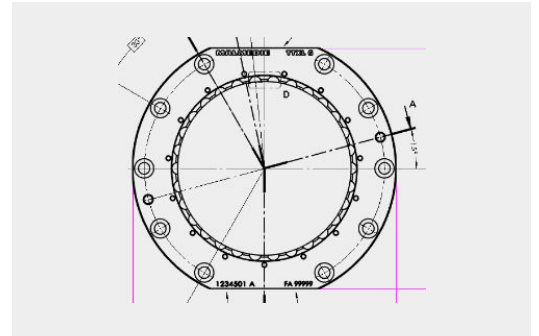
Simply order TTXL 5-112 with the Duplex Hub option.

Does this option cost extra?

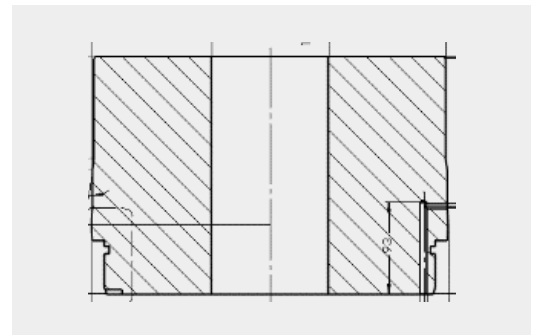
No, it does not.

What is necessary for integration into the drivetrain?

On the hub side, it can be connected using standard keyway connections. Important: Ensure a clearance fit between the motor shaft and hub (as opposed to an interference fit). This typically requires a double keyway connection, which has been standard in the past. On the housing side, everything remains the same.



665051 (Drawing of 6-unit housing)



665031 (Drawing of 6-series standard hub)